

DAMPER HINGE



HG-JHM20

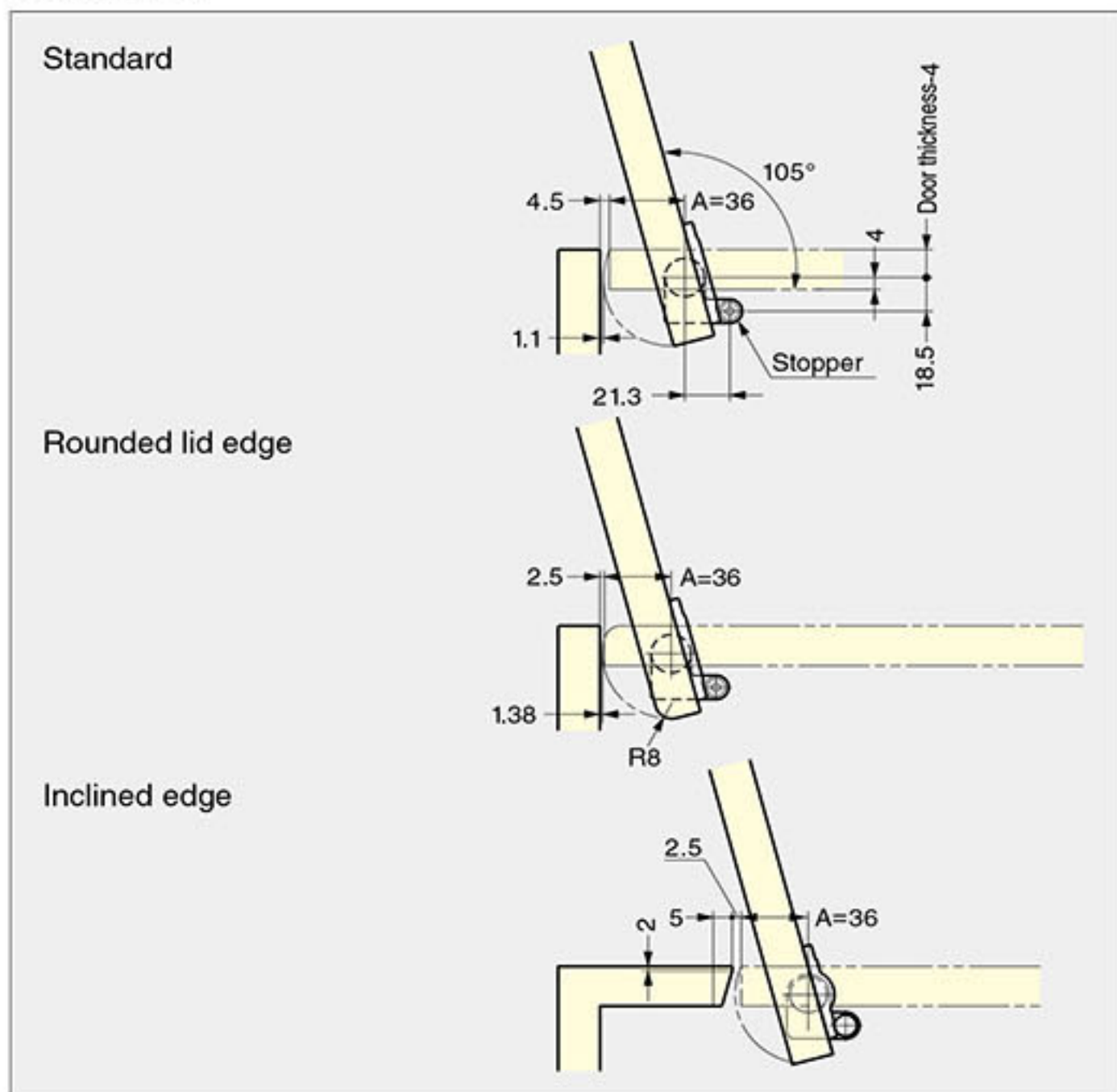


W/black cover

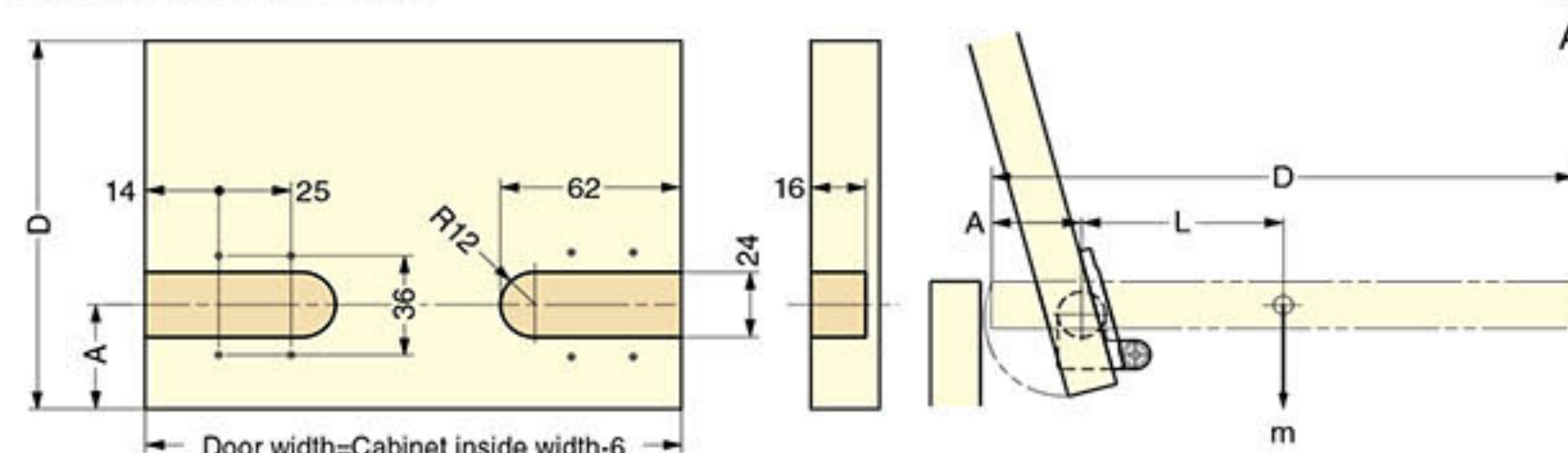


W/white cover

Installation



Cut Out Dimensions



Features

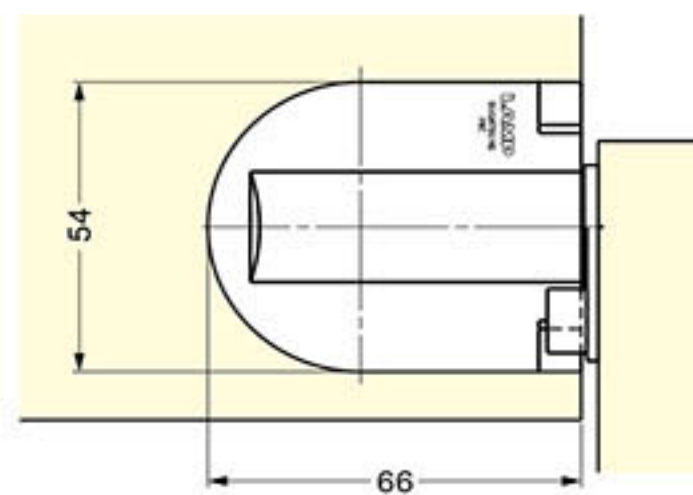
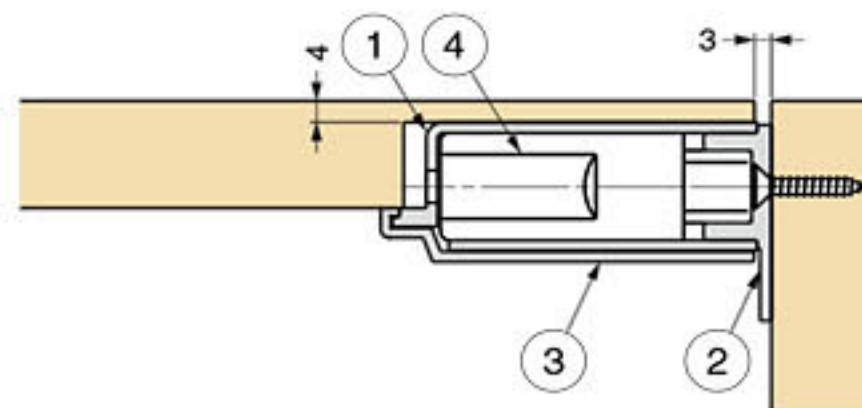
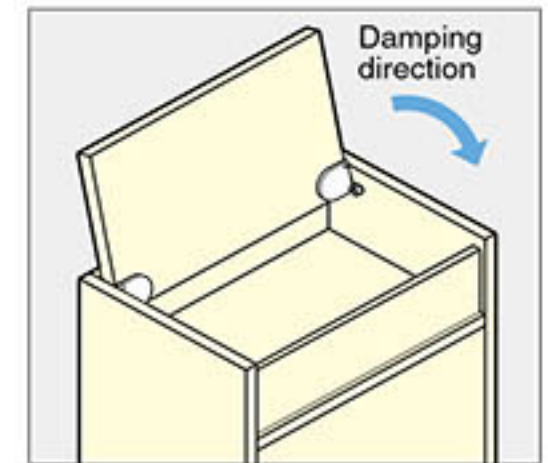
- Hinge with built-in damper to keep lid from slamming shut.
- Mortise mount type.
- With marking colour on the edge to recognize the model.

Remarks

Sold in pairs.

Parts Included

Countersunk head tapping screw 4x20



No.	Part Name	Material	Finish/Colour
①	Body	Polyacetal (POM)	Black
②	Bracket	Aluminium Alloy	Black
③	Cover	ABS	Black/White
④	Damper	-	-

Criterion of Door Weight

Door Height D	Door Weight m
250	6.58 - 8.77 kg
300	5.18 - 6.91 kg
350	4.28 - 5.70 kg
400	3.64 - 4.86 kg
450	3.17 - 4.23 kg

Calculation of Torque Moment

$$T = m \times 9.80665 \times L$$

T : Door torque moment (N·m)

m : Door weight (kg)

L : Length from the centre of an axis to centre of gravity (mm)

$$L = \frac{D}{2} - A$$

D : Door Height (mm)

A : Length from centre of axis to back edge of the door (mm)

(Example) D=450 mm, A=36 mm, m=4.3 kg

$$T = 4.3 \times 9.80665 \times \left(\frac{450}{2} - 36 \right) = 7970 \text{ (N·mm)} \\ = 8.0 \text{ (N·m)}$$

Item Code	Item Name	Colour	Torque Moment (Per pair)		Marking Colour	Weight
170-012-854	HG-JHM20-80BL	Black	6 - 8 N·m	61.2 - 81.6 kgf·cm	Yellow	206 g
170-012-855	HG-JHM20-80WT	White	6 - 8 N·m	61.2 - 81.6 kgf·cm	Yellow	206 g